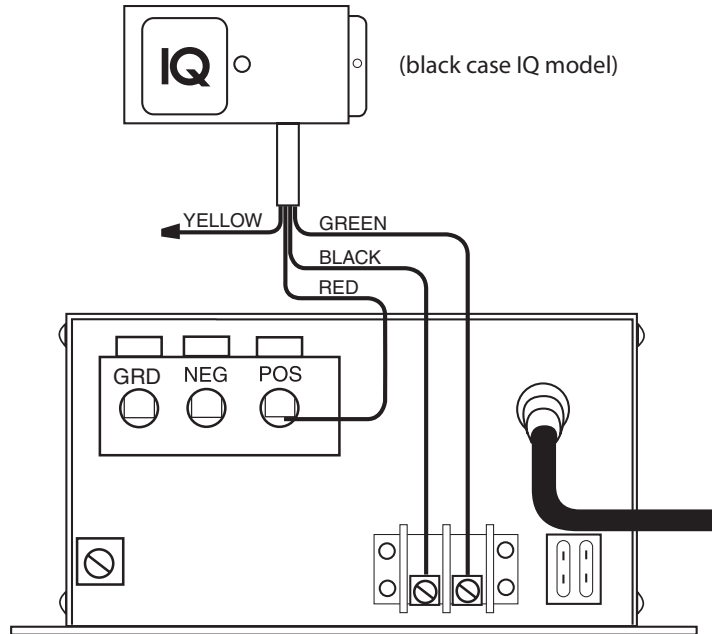




IOTA ENGINEERING, LLC
PO BOX 11846 TUCSON, AZ 85734
1-800-866-4682 FAX (520) 741-2837
www.iotaengineering.com

IQ4 HOOK-UP WITHOUT DUAL VOLTAGE JACK

Remove one plug end of the IQ cable. Internal wire includes a Red, Black, Green and Yellow wire. Attach the Red wire to the positive output lug, (Battery) cable. Attach the Black wire to the left terminal and the Green wire to the right terminal of the dual voltage terminal block. Cap the unused Yellow wire.



IQ4 PARALLEL HOOK-UP WITHOUT DUAL VOLTAGE JACK

