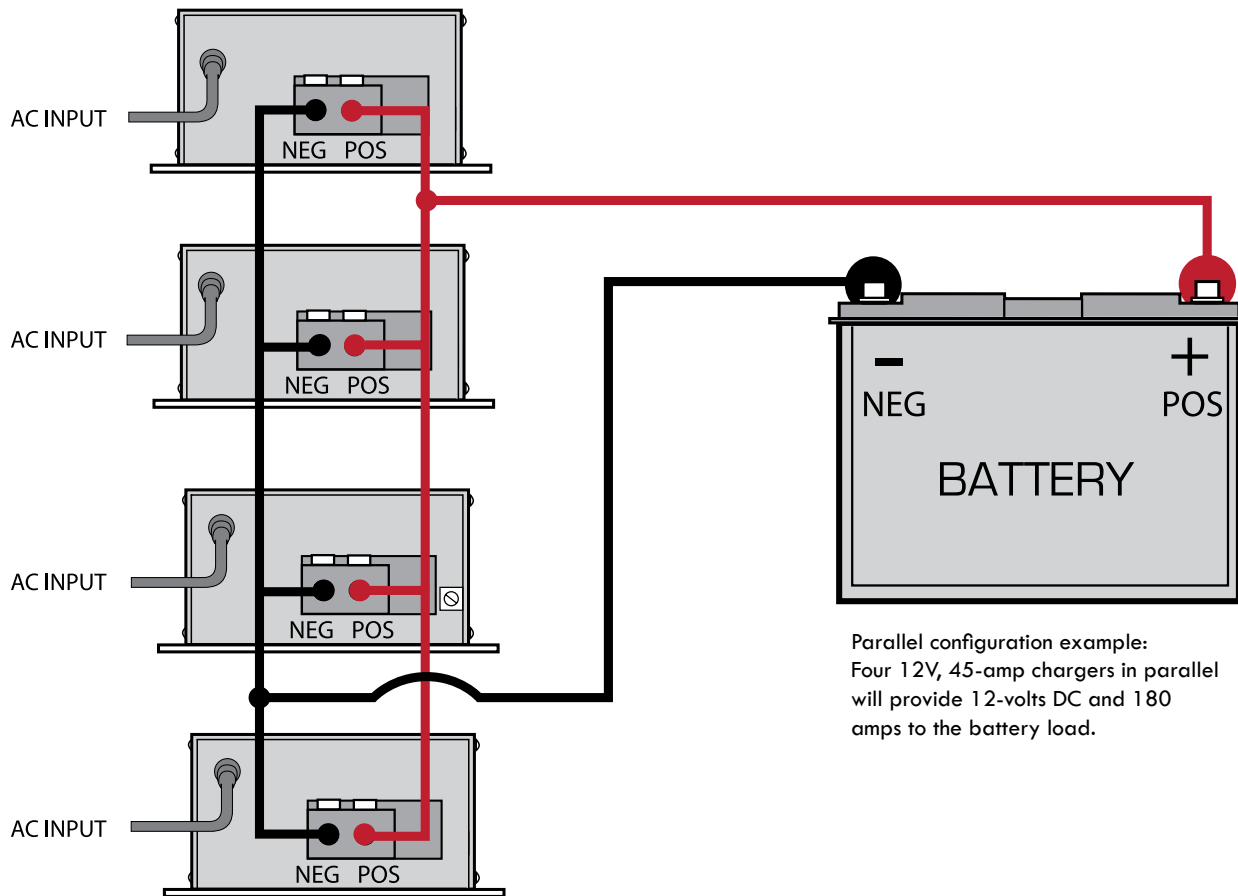


# DLS Diagram

## PARALLEL OPERATION



This illustration demonstrates a typical parallel configuration system. When the battery chargers are connected in parallel, the system delivers increased amperage (**amps x number of chargers**) with no effect on the output voltage.

